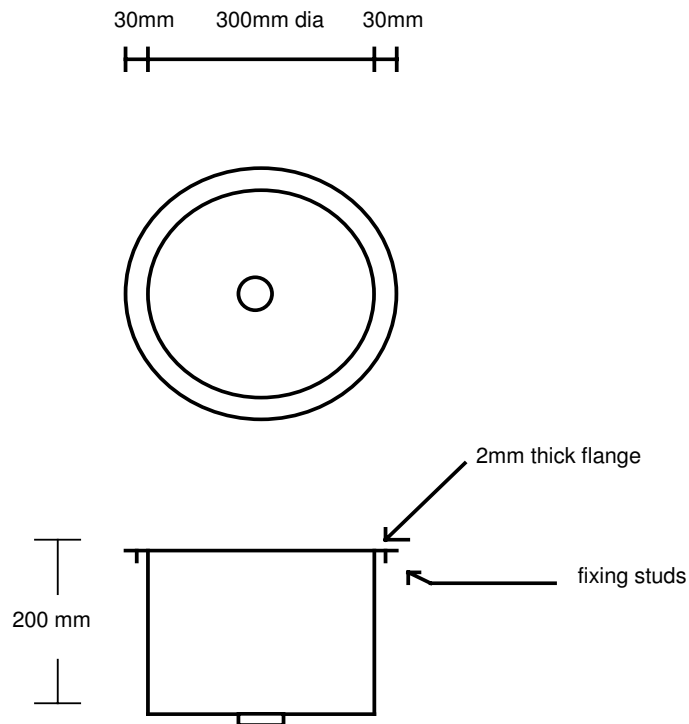


National Stainless Steel Pty Ltd
27 Lincoln street Minto NSW 2566
Ph 9820 3708 Fx 9820 3908

2006

National Stainless Steel Pty Ltd
Round Lab Sink
Product code: NSSRLS



Application: School science labs,
Material: 1.6 grade 316 stainless steel