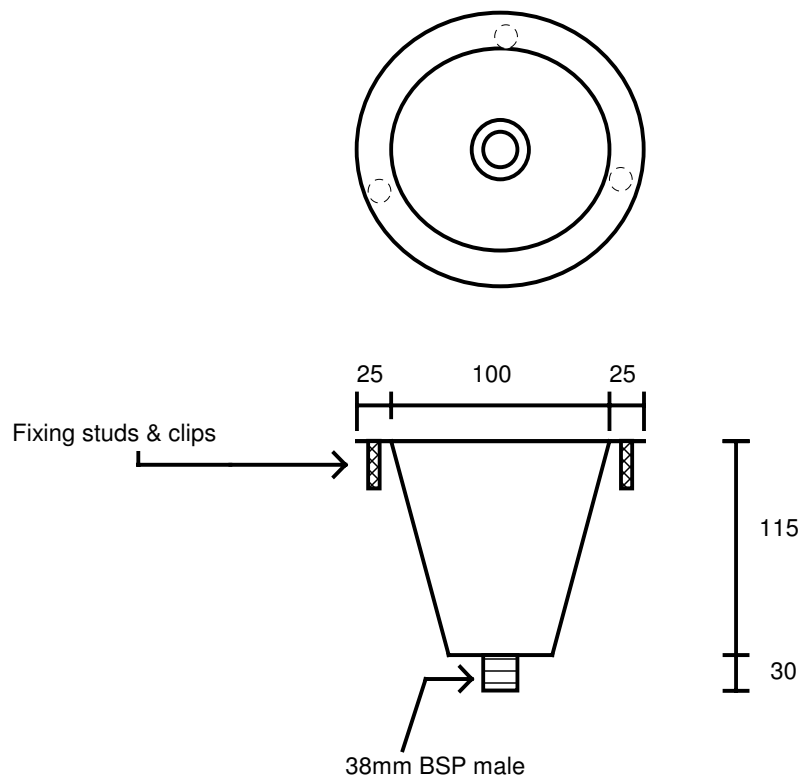


National Stainless Steel Pty Ltd
27 Lincoln Street Minto NSW 2566
Ph 9820 3708 Fx 9820 3908

2006

National Stainless Steel Pty Ltd
Conical Tundish
Product Code: NSSCT



Material: Grade 316 Stainless steel
Application: School & commercial Science labs