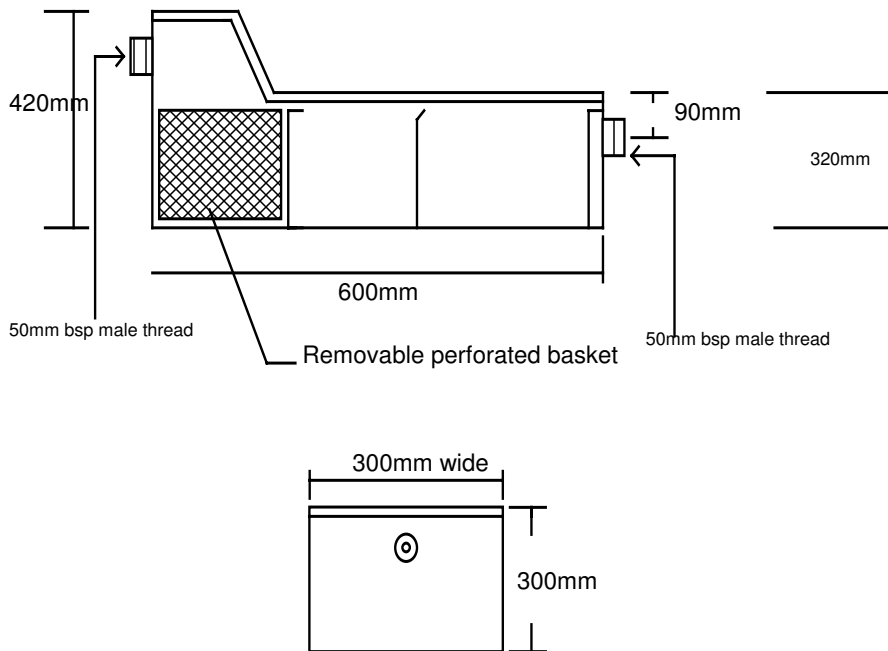


National Stainless Steel Pty Ltd  
27 Lincoln Street Minto NSW 2566  
Ph 9820 3708 Fx 9820 3908

2006

National Stainless steel Pty Ltd  
Clay / Plaster arrestor  
Product Code : NSSCA



Material : Commercial Grade 304 stainless steel